

At Hero Hoists
we sell
Peace Of Mind...



Lift King 9/2-Post 'Prosumer' High-Lift Service Hoist

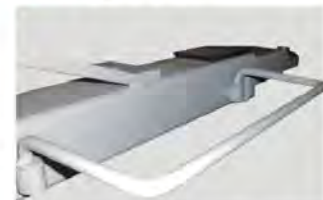
Technical parameter

Lifting Capacity	4000KGS	Oil Pressure	18Mpa
Max Lifting Height	1900mm	Power Supply	110-240V/380-415V 1/3PH,50Hz/60Hz
Min Lifting Height	85-110mm	Rise Time	50s
Power Of Motor	2.2KW	Lowering Time	40s

● Standard



● Optional



Optional anti-toe protection bar

● Display Details



Automatic arm lock



Door opening protection rubber

Product Features

- Top limit switch
- Solenoid lock release, full automatic control
- Double cylinder, high strength chain drive system
- Imported high quality cylinder seals
- Heavy duty, stainless steel cables
- 24V low voltage control box
- Grey and black column cover
- Optional anti-toe protection bar
- ETL&CE certified power unit
- CE certified by CCQS UK

**NOTE: FEATURES MAY VARY
ON THE AUSTRALIAN MODEL...
PLEASE CALL TO VERIFY INCLUSIONS...**

● Australian Engineer & Euro Certified Product

● Latest 2018 Euro Design 3-Stage
Asymmetric Arms - **both front and rear** - allows
many styles of vehicles to be lifted more easily...

● Easy Operation:- Full Automatic Lock Release

● High Clearance:- 3.904m Installed Height

● Fine Adjustment Screw-Up Pads with Truck Adaptor

● 240V / 15amp Power

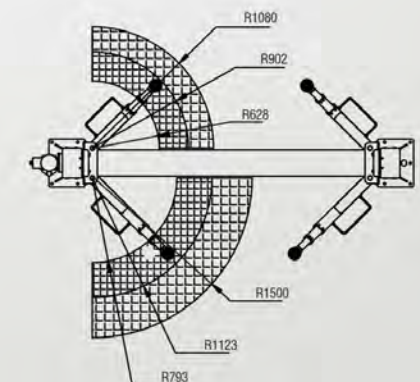
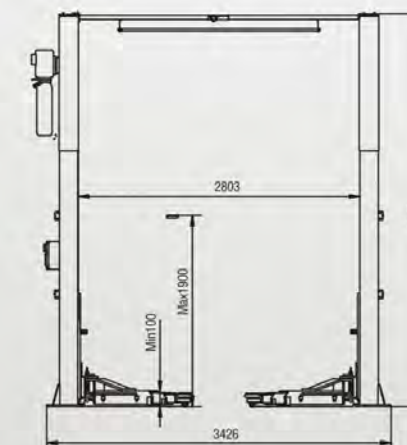
● LIFETIME Structural Warranty
+ 3-Year Powerpack Warranty (Private Use)

1300 79 5438
herohoists.com.au

Lift King 9/2-Post 'Prosumer' High-Lift Service Hoist



- HIGH QUALITY
AT A SENSIBLE PRICE...**
- Higher clearance under the Overhead-Bar than 'standard-height' models
 - 3-Stage Front & Rear Arms allow a greater style / type of vehicle to be lifted more comfortably and quickly...
 - Easy Automatic Push-Button Operation



Colours and specifications are subject to change without notice - please call for updates...