



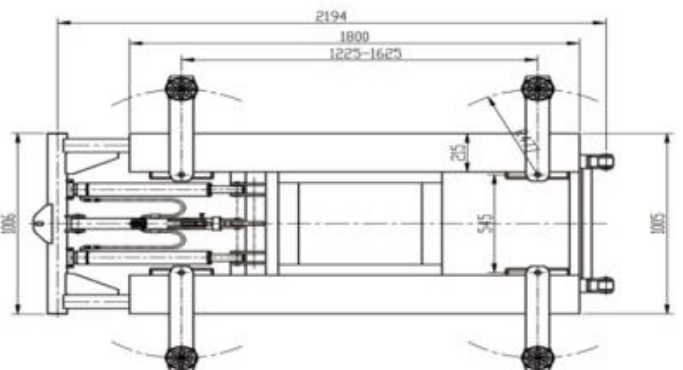
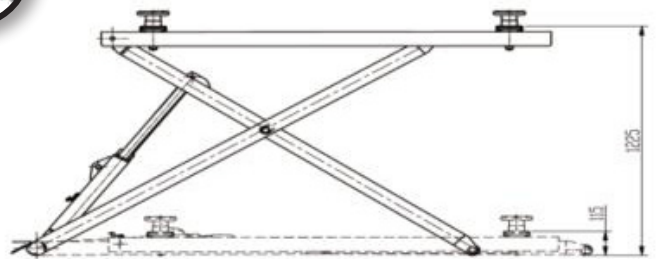
## 2019 Lift King 'Value' Mid-Rise Portable Scissor Lift

**Workshop Quality at a Realistic Price...**

### Our New High-Quality 2.80T Belly Lifter...

Do you like the idea of portability, high-quality construction and simple operation? Then choose our mid-range model - and get everything the workshops demand - with twin cylinders made to ANSI standard - utilising high quality seals.

And, as a private buyer, you get something extra - our exclusive LIFETIME Structural Warranty, and our 3-Year Powerpack Warranty - at NO extra cost!



### Technical Parameter

Capacity-----	2800kg
Lifting height-----	1225mm
Lifting time-----	45S
Platform length-----	1800mm
Overall width -----	1005mm
Voltage-----	380V/220V/110V
Motor power -----	2.2KW
Rated oil pressure-----	18Mpa
Noise-----	≤80dB

**COMMERCIAL TOUGH**  
Residential Simple

\*All specs are subject to change without notice... please call for any updates.

[www.herohoists.com.au](http://www.herohoists.com.au)

**1300 79 5438 • 0413 29 3318**  
**(02) 9743-9355**