



Lift King 10/2-Post Clearfloor Symmetric / Asymmetric Service Hoist



CE Euro-Certified



Australian-Certified
4.50T (10,000lb)
Rated Capacity

* Colour is indicative only.
Call for specs...



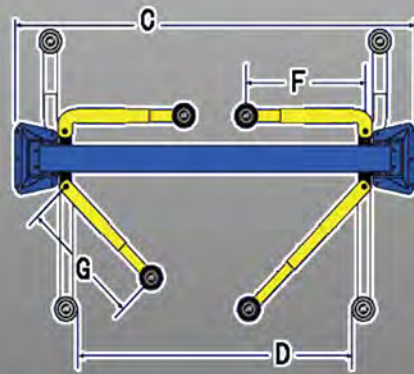
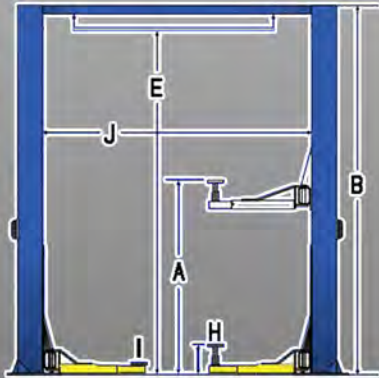
**Commercial-Grade
2-Post Service Hoist**

**Dual Cylinder
2017 'Double-S' Post Design**



Specifications:

Lift Type:	Clear Floor Direct Drive
Lifting Capacity:	4500kg/10,000lb
A. Lifting Height:	2000mm/78.7"
B. Height Overall:	3620mm/142.5"
C. Width Overall:	3455mm/136"
D. Drive-thru Width:	2600mm/102.4"
E. Overhead Switch:	3434mm/135.2"
F. Front Arm Reach:	800mm-1040mm/31.5"-41"
G. Rear Arm Reach:	915mm-1100mm/36"-43.3"
H. Pad With Extension:	240mm/9.5"
I. Pad Min Height:	80mm/3.2"
J. Width Between Columns:	2800mm/110.2"
Lifting Time:	50 Seconds
Motor Power:	2.2kw
Voltage:	3Ph 380v 1Ph 220v



Lift King 10/2-Post Asymmetric Workshop Hoist

- ✔ Stronger Double S Manganese Steel Columns.
- ✔ Single Lock Release, Direct Drive Cylinder Configuration.
- ✔ Padded Overhead Bar For Improved Vehicle Protection.
- ✔ Faster Rise For Improved Productivity.
- ✔ Thicker Cables And Steel Pulleys For Longer Life.
- ✔ Taller Carriage For Reduced Slider Wear.

*Rise Height is Measured With Stackable Pads in Highest Position.

• Australian model comes standard with the 3-Stage Screw-Up Pad System, 2-Stage Rear Arms and 3-Stage Rear Arms.

Optional Accessories



Screw Pad



3-Stage Screw Pad With Extension Kit



Double S Column



New Design Carriage



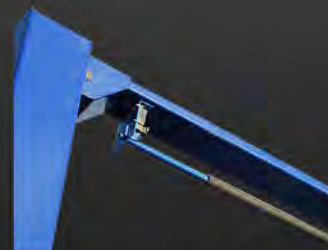
Tool Trays



Electric Lock System



Arm Restraints



Height Limit Switch



3-Stage Arms



Truck Adaptors are optional...

Hero Hoists

3/66 Clapham Road
Sefton, NSW, 2162

Ph: 1300 79 5438

www.herohoists.com.au

